

**REQUIREMENTS FOR INSTALLATION AND USE OF ELECTRIC SERVICE**  
**ON GOVERNMENT PROPERTY AT LAKE SIDNEY LANIER**

Note: All installations must meet or exceed National Electric Code standards for **WET** locations, Marinas and Boatyards (Article 555) and any additional requirements set by the Corps of Engineers as listed below.

**A. Installation from property line to shoreline service pole.**

1. Must be underground and follow access path (no overhead wiring).
2. Only types UF and USE cable may be used.
3. Installation requirements.
  - a. Cables may be direct buried or enclosed in approved conduit.
  - b. Minimum burial depth is 24"
  - c. Warning tape must be buried at 12" depth.

**B. Service Pole.**

1. Cannot be set below elevation 1073 m.s.l.
2. Maximum 6" square or 6" diameter & 10' long, (8" max. above the ground).
3. Wooden post only - no utility poles.

**C. Shoreline service panel box.**

1. Must be at eye level, but no less than five feet above the ground.
2. Cable leading from the ground into panel must be enclosed in conduit and hard wired.

**D. Service from shoreline panel box to boatdock.**

1. Cable from panel box must be hard-wired into ground-fault circuitry.
2. Only approved for wet locations may be used.
3. Locking & grounding receptacles and plugs are required at shoreline distribution panel and/or service connections to floating facility and all ship to shore receptacles.
4. Surplus cable for use during low lake elevations must be coiled and attached to service pole.

**E. Receptacles.**

1. All receptacles:
  - a. Must have ground-fault protection at service pole.
  - b. Must be in weatherproof receptacle boxes with self-closing caps.
  - c. Maximum number of receptacles on dock is two single or one duplex.
2. Receptacles providing shore power for boats:
  - a. 20 ampere minimum rating.
  - b. Must be locking and grounding type.
3. Convenience outlets:
  - a. 15 and 20 ampere rated only.
  - b. Must be unplugged when unattended and not in use.
4. Receptacle height:
  - a. On service post - minimum 4' above the ground.
  - b. On boatdock - minimum of 30" above the deck.

**F. Dock wiring.**

1. Must be approved for wet locations and enclosed in conduit.
2. End of conduit must be installed to prevent entry of moisture.
3. Links of liquidtight flexible conduit must be utilized at moveable ramp and dock joints.

**G. Lighting.**

1. Minimum requires for safe access will be allowed.
2. Maximum bulb size for any purpose is 150 watts.
3. Fixtures and lights must be approved for wet locations and cannot be mounted to extend beyond the outer perimeter of the boatdock.
4. All lights must be aimed downward.
5. Lighting along path may be "mushroom" type with no exposed wiring.

**H. General guidelines.**

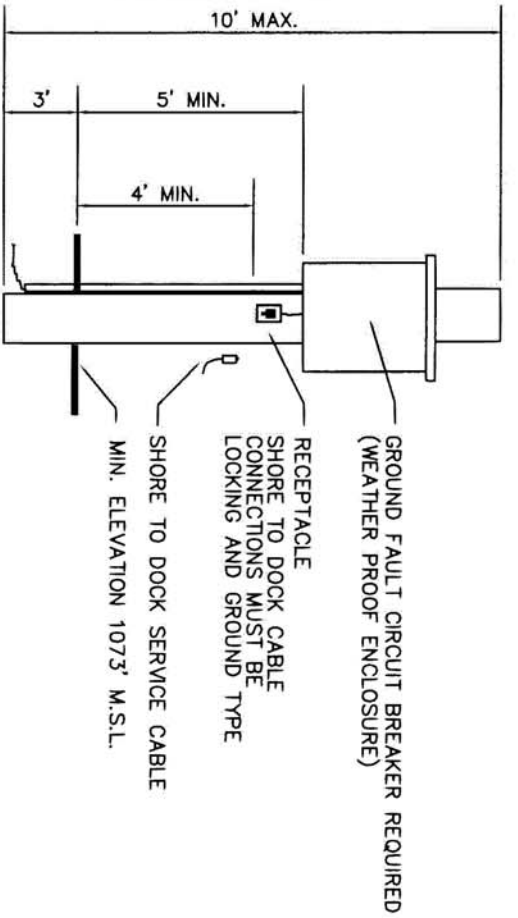
1. All breakers, cables, cords and receptacles must be sized to accommodate service needs.
2. It is recommended that a licensed electrician perform installation

# EXHIBIT C

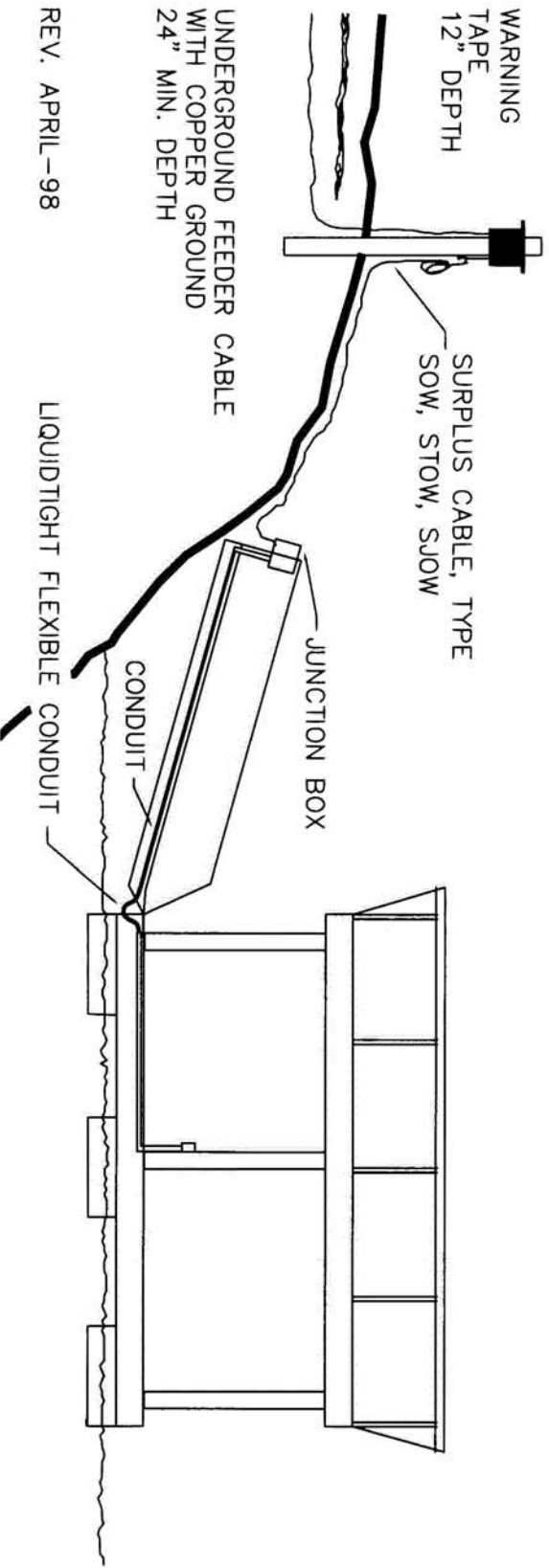
I CERTIFY THAT ELECTRICAL INSTALLATION AUTHORIZED BY SHORELINE USE PERMIT \_\_\_\_\_ MEETS OR EXCEEDS NEC & CORPS REQUIREMENTS

ELECTRICIAN SIGNATURE \_\_\_\_\_ DATE \_\_\_\_\_ GA STATE LIC.# \_\_\_\_\_

PERMITTEE SIGNATURE \_\_\_\_\_ DATE \_\_\_\_\_ PERMIT # \_\_\_\_\_



SERVICE POLE DETAIL



REV. APRIL-98